

TIDD CRANE ||||

NEW!



TIDD PC28

TRT ||||
...for the long haul

www.trtaustralia.com.au

www.trt.co.nz



The new TIDD PC28 is the ultimate pick and carry crane for capacity, safety and comfort!

TIDD PC28 NOW AVAILABLE WITH OPTIONAL SUPERLIFT COUNTERWEIGHT!

FEATURES

An articulating crane like no other, the TIDD PC28 is constructed using the highest quality components, and prioritises safety throughout its design.

The TIDD PC28 is the right crane for a wide range of operating environments with many class-leading features:

- European standard automotive finish
- Shortest forward projection in its class
- Outstanding turning radius

Full Power Boom

With the new 18.65m full power boom, a 75% stationary chart for the heavy lifts and 66% pick and carry chart, the TIDD PC28 packs a massive punch.

Made from high tensile steel, telescope sections 1 and 2 are fully synchronised and provide hook compensation. Telescope section 3 is independently operated with its own hydraulic cylinder.

Huge Lift Capability

With a 28 tonne maximum lift on the lug and 27.6 on the hook block. The TIDD PC28 delivers outstanding lifting capacities for improved efficiency and greater lift options, setting a new benchmark in the industry.

Moving from the stationary chart to the pick and carry chart is as simple as turning off the hold brake. You can now lift more and move more safely without compromise!

The Ultimate in Comfort

From the ergonomically designed forward mounted ROPS cabin (Patent No. 2012203625), with two-door configuration and ducted air conditioning, to the 150kg rated air suspension seats and 3-point safety belts, this crane is designed for comfort over long hours, helping to reduce operator fatigue!

Superior Roadability

Get from site to site with ease with a maximum speed of 80km per hour (speed limited). It has full ABS braking for improved safety, whether the crane is operating while stationary or at speed.

It is driven by a Mercedes Benz engine and Allison Transmission. With its superior suspension, the TIDD PC28 is 12 tonne per axle on the road including its 2.3 tonne removable counterweight.

Focused on Safety

The TIDD PC28 is the only pick and carry crane with this level of safety. Designed to maximise safety, the crane will minimise risk on the work site and on the road. Safety features include Dynamic LMI with a deadlock switch inside the cabin. The LMI bridging switch is outside the cabin. Slew Safe™ is an optional safety addition, recommended for the TIDD PC28.

Manufactured for the Industry

TRT have been designing and manufacturing heavy equipment, cranes and trailers for over 50 years, with real expertise in crane design, TRT is the home of the TIDD Crane.

Many of the TIDD PC28 features are designed based on industry feedback, improving safety and focused on capability, by drawing on technology and knowledge from our renowned manufacturing capability. TRT's manufacturing operation is ISO9001-2015 accredited.



Slew Safe™

Exclusive to the TIDD Crane, Slew Safe™ significantly reduces the risk of pick and carry crane rollovers, which are costly to operations.

This simple and effective system restricts the driver from operating off the chart. With audible and visual alarms along with steering restrictions, Slew Safe™ can't be over-ridden but will operate again when the load is moving in the safe direction. This sets a new standard in safety and industry best practice!

Australian Innovation Patent No. 2019100317



1

Counterweight

2.3 tonne roadable, front and rear mount counterweight.



2

Emergency Stop Buttons

- Inside cabin
- Either side of the crush zone in articulation area.

LMI override key is located outside behind the cabin.



3

Articulation

Articulating 44° either side of centre.



4

ROPS Cabin

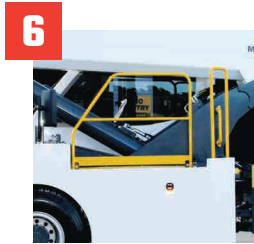
Certified ROPS, 2-person cabin, seats have integrated seatbelts. Double door access.



5

Engine

Mercedes Benz OM906 six-cylinder, diesel engine.



6

Carry Deck

1 tonne capacity carry deck with restraint points.



7

Mirrors

Placement for optimised visibility.



8

Dynamic LMI

Automatically reduces the lift chart for side slope.



9

Boom

6.12-18.65m high tensile full power boom with 4 telescope sections.



9

27.6 tonne capacity on running rope.

25 tonne capacity.

28 tonne capacity on fixed lug (stationary)

DIMENSIONS

CAPACITY

28 tonne capacity on fixed lug
27.6 tonne capacity on running rope

BOOM

6.12-18.65m high tensile steel
4 section full power boom

ARTICULATION

44° either side of the centre

SPEED

Max 80km/hr

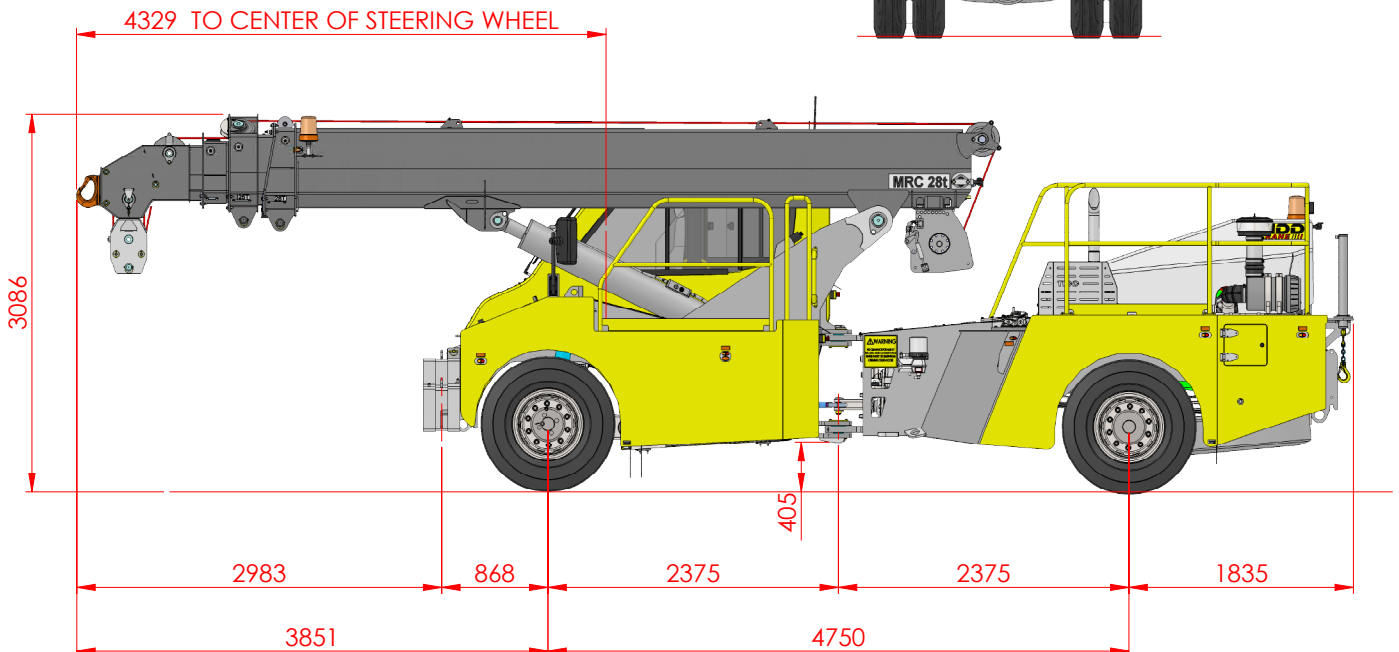
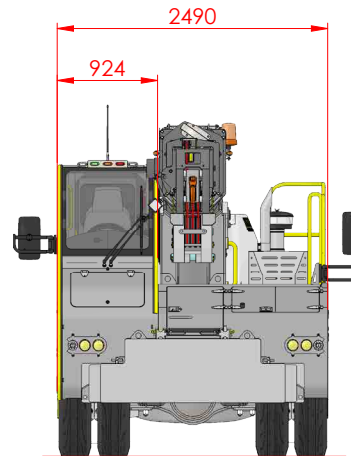
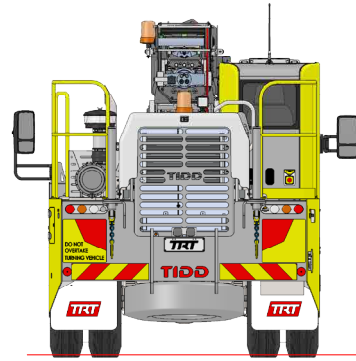
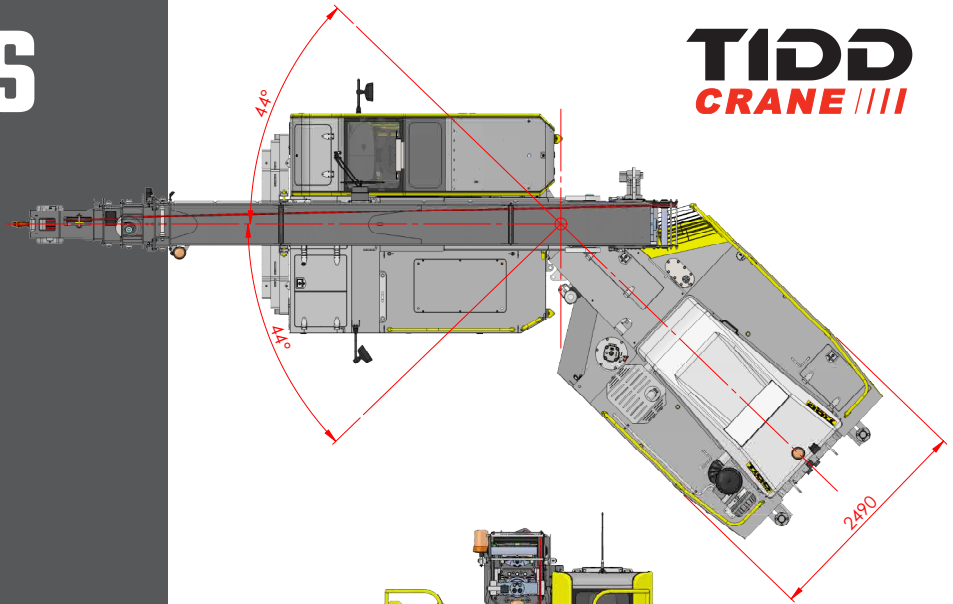
MASS

Gross vehicle mass 23.9 tonne
Front axle mass 11.9 tonne
Rear axle mass 12 tonne

COUNTERWEIGHT

2.3 tonne roadable, front and rear mount

TIDD
CRANE IIII



SPECIFICATIONS



The TDD PC28 is built with specialist features for construction and mining. There are a wide range of options available to tailor the crane to your operation. If the options you require are not listed below, please contact one of our experts.

CRANE

Double acting hydraulic cylinders (-6 to + 65°) with integral holding valve, allowing rigging to drop straight into the front chain box from the hook.

Anti-two block device.

Robway RCI8510 Dynamic Load Indicator with automatic cutouts and digital display.

A dash mounted deadlock switch allowing a temporary increase to 110% RC only with reduced function speeds.

A key locked Bridging switch is mounted externally on the cab limiting access to authorised persons.

Joystick control of boom and winch functions with 2-speed winch button, boom-telescoping switch proportionally controlled, and boom luffing with dead man trigger on grip.

15 tonne capacity Rhino hook.

4.6 tonne line pull Braden PD15 2-speed winch with automatic disc brakes and third wrap indicator.

14mm non-rotating wire rope x 6 falls.

15 tonne capacity spreader bar.

Large 2-sectioned chain box at the front of the crane and accessed directly from the hook.

1 tonne capacity carry deck with restraint points.

Two work lights on the boom and one rotating beacon on the boom and engine cover.

Three emergencies stop buttons, in cabin and either side of the crush zone in the articulation area.

Tri light safe load indicator on cabin roof with audible alarm.

CraneSafe inspection.

1 year warranty standard.

OPERATOR

Forward mounted cabin provides excellent vision.

Certified ROPS, 2-person cabin with double door access. (Patent No. 2012203625).

2 x 150 kg rated air suspension seats with 3-point seat belts.

Large dry storage area via the hinged cabin steps, ideal for storing soft slings.

Hand rails and access steps all have 3 points of contact at all times.

Safety glass throughout.

1.5 kg fire extinguisher.

Mirrors - placement for optimised visibility.

Reversing camera and alarm.

Air conditioning.

Bluetooth, Radio and USB Port.

RECOMMENDED OPTIONS

Slew Safe™ - Recommended - An effective system to restrict the driver from operating off the chart. With audible and visual alarms along with steering restrictions, Slew Safe cannot be over-ridden but will operate again when the load moves in the safe direction. Accepted on many Tier 1 sites as standard. (Australian Innovation Patent No. 2019100317)

Traction Air™ - Recommended - TRT's tyre pressure control system, improves TIDD PC28 crane safety on varying work surfaces, maintaining a constant tyre pressure based 130PSI and managed within the cab. It is backed by a 3 year/500,000km warranty. Contact us for more information.

DRIVELINE

Mercedes Benz OM906 six-cylinder, 6.4 litre, turbo charged, intercooled 205 kW diesel engine.

Allison 3000 series automatic transmission, 6 speeds forward.

Kessler high-speed planetary axles with diff lock on front axle.

Meritor transfer case.

Two stage engine and exhaust brake.

410 litre fuel tank with locking cap.

Automatically activated emergency hydraulic steering.

Dual line full air brakes on all wheels with ABS.

Pneumatically released spring applied emergency / park brake on all wheels.

Holding brake for front right wheel to allow slewing during stationary lifting.

Beka Max™ Auto Grease Pump.

TIDD hydro-pneumatic suspension on the front axle with hydraulic lockout for crane mode and automatic height adjustment for road mode.

Heavy duty parabolic spring suspension on rear.

High quality load sensing piston pump for hydraulic system, 305 litre hydraulic tank with filtration byway of pressure and return line filtration.

Battery isolator, external jump start terminals and starter isolator as standard.

LED 24V lighting system

Right side rear handrail for safe servicing of the engine area.

ADDITIONAL OPTIONS

Crane	25 degree offset Rhino attachment.
	Winch camera.
	1.9m offset Fly Jib with 0, 20 and 40 degree offsets.
	9.2t capacity single sheave hook block.
	Spare tyre and wheels.
	Spare tyre and wheel assembly mounted under rear chassis for safe easy access.
Driveline	1.1 tonne superlift counterweight.
	Loose wheel-nut indicator.
	Exhaust spark arrestor.
	Fast fill options; engine and transmission oil, hydraulic oil only and fuel only.
Operator Comfort/Safety	FOPS certified top view glass.
	Refrigerated compartment under dogman seat.
	First aid kit.
	4.5kg or 9kg fire extinguisher left chassis mounted.
	Fire suppression system.
	UHF Radio.
	High visibility reflective tape striping to specification.
	Rear handrail - left side.

LOAD CHART 66%

PICK & CARRY



0 - 0.6° CRANE SIDE SLOPE: PC28 MOBILE CRANE: MAIN HOIST - 2270kg COUNTERWEIGHT ON: REAR																			PICK AND CARRY			
RADIUS	BOOM LENGTH (M)																					
	6.12	6.50	7.00	7.50	8.00	8.50	9.00	9.50	10.00	10.50	11.00	11.50	12.00	12.50	13.00	13.50	14.45	15.50	16.50	17.50	18.64	
1	25000	25000	25000	25000	25000	25000																
1.5	22100	22100	22100	22100	22100	22100	22100	22100														
2	20500	20500	20500	20500	20500	20500	20500	20500	20500													
2.5	19000	19000	19000	19000	19000	19000	19000	19000	19000	19000	19000	19000	19000									
3	16600	16500	16400	16400	16400	16400	16400	16400	16400	16400	16400	16400	16000	15900	15800							
3.5	14500	14400	14300	14100	14000	13900	13800	13700	13600	13500	13400	13300	13150	13100								
4	12050	12000	11800	11800	11800	11800	11800	11800	11800	11800	11800	11700	11600	11500	11450	11400						
4.5	10750	10750	10750	10750	10750	10750	10750	10700	10700	10600	10600	10600	10500	10500	10500	10500	10500	10500				
5	9500	9500	9500	9500	9500	9450	9450	9450	9400	9400	9350	9350	9350	9300	9300	9300	9300	9300	9400	9400		
6	7700	7700	7700	7700	7700	7700	7700	7700	7700	7700	7700	7700	7650	7650	7650	7650	7650	7650	7600	7600	7700	7800
7	6400	6400	6400	6400	6400	6400	6400	6400	6400	6400	6400	6400	6300	6300	6200	6200	6200	6200	6300	6400	6500	
8	5100	5100	5100	5100	5100	5100	5100	5100	5100	5100	5100	5100	5100	5100	5100	5100	5100	5150	5200	5250	5350	
9	4450	4450	4450	4450	4450	4450	4450	4450	4450	4450	4450	4450	4450	4450	4450	4450	4450	4450	4450	4450	4450	4550
10	3800	3800	3800	3800	3800	3800	3800	3800	3800	3800	3800	3800	3800	3800	3800	3800	3800	3800	3800	3900	3950	4000
11	3120	3120	3120	3120	3120	3120	3120	3120	3120	3120	3120	3120	3120	3120	3120	3120	3120	3120	3200	3240	3280	
12	2420	2420	2420	2420	2420	2420	2420	2420	2420	2420	2420	2420	2420	2420	2420	2420	2420	2420	2420	2420	2420	2500
13	2000	2000	2000	2000	2000	2000	2000	2000	2000	2000	2000	2000	2000	2000	2000	2000	2000	2000	2000	2000	2000	2100
14	1790	1790	1790	1790	1790	1790	1790	1790	1790	1790	1790	1790	1790	1790	1790	1790	1790	1790	1790	1790	1790	1820
15	1650	1650	1650	1650	1650	1650	1650	1650	1650	1650	1650	1650	1650	1650	1650	1650	1650	1650	1650	1650	1650	1650
15.9	1510	1510	1510	1510	1510	1510	1510	1510	1510	1510	1510	1510	1510	1510	1510	1510	1510	1510	1510	1510	1510	1510

LMI DUTY 101-66

- This chart is for crane side slope from 0° to 0.6°. crane side slope larger than 0.6° the LMI will derate automatically
- Stability as per en13000:2010 (mod) and as1418.5 2013 part 4.1.2.6.1 pick and carry 66.6% of tipping load
- Operation of this machine with heavier loads than the capacities listed is strictly prohibited. machine tipping with boom extension occurs rapidly and without advance warning
- Lifting is to be vertical only
- Hoist rope: 14mm 34 x 7 grade 1960 n/mm2 non rotating min breaking force 18400kg
- 4600kg max line pull
- Tyre specification front and rear size 12.00 r20 creep load rating 8695kg @ 0-2 kph static load rating 9250kg @ 0 kph tyre pressure 130 psi

Rated Capacity (kg) for 0°-10° articulation
Rated Capacity (kg) for 11°-20° articulation
Rated Capacity (kg) for 21°-30° articulation
Rated Capacity (kg) for 31°-44° articulation

- Mass of slings and hook block to be added to load
- During operation, wind speed must not exceed 36 km/h (10m/s)
- Read and understand crane user manuals before operating
- Boom angle is with respect to the horizontal
- Spare wheel not included as counterweight
- Loads above the bold red line are limited structurally
- Loads below the bold red line are limited by stability

LOAD CHART 75%

STATIONARY



0 - 0.6° CRANE SIDE SLOPE: PC28 MOBILE CRANE: MAIN HOIST - 2270kg COUNTER WEIGHT ON: REAR STATIONARY

RADIUS	BOOM LENGTH (M)																				
	6.12	6.50	7.00	7.50	8.00	8.50	9.00	9.50	10.00	10.50	11.00	11.50	12.00	12.50	13.00	13.50	14.45	15.50	16.50	17.50	18.64
1	27600	25000	25000	25000	25000	25000															
1.5	23500	23500	23500	23500	23500	23500	23500	23500													
2	22400	22400	22400	22400	22400	22400	22400	22400	22400	22400											
2.5	21370	21370	21370	21370	21370	21370	21370	21370	21370	21370	21370	21370	21370	21370							
3	18680	18560	18450	18450	18450	18450	18450	18450	18450	18450	18450	18450	18000	17890	17780						
3.5	16310	16200	16090	15860	15750	15640	15530	15410	15300	15190	15080	14960	14790	14740	14740						
4	13560	13500	13280	13280	13280	13280	13280	13280	13280	13280	13280	13160	13050	12940	12880	12830					
4.5	12090	12090	12090	12090	12090	12090	12090	12090	12040	12040	11930	11930	11930	11930	11810	11810	11810	11810			
5	10690	10690	10690	10630	10630	10630	10630	10630	10580	10580	10520	10520	10520	10520	10460	10520	10580	10580	10580		
6	8660	8660	8660	8660	8660	8660	8660	8660	8660	8660	8660	8660	8610	8610	8610	8610	8610	8610	8610	8610	8780
7	7200	7200	7200	7200	7200	7200	7200	7200	7200	7200	7200	7090	7090	7090	7090	6980	6980	7090	7090	7200	7310
8	5740	5740	5740	5740	5740	5740	5740	5740	5740	5740	5740	5740	5740	5740	5740	5740	5790	5850	5910	6020	
9	4610	4610	4610	4610	4610	4610	4610	4610	4610	4610	4610	4610	4610	4610	4610	4610	4610	4610	4610	4610	4710
10	4280	4280	4280	4280	4280	4280	4280	4280	4280	4280	4280	4280	4280	4280	4280	4280	4280	4390	4440	4500	
11	3830	3830	3830	3830	3830	3830	3830	3830	3830	3830	3830	3830	3830	3830	3830	3830	3830	3830	3830	3830	3940
12	3310	3310	3310	3310	3310	3310	3310	3310	3310	3310	3310	3310	3310	3310	3310	3310	3310	3310	3310	3310	3660
13	2870	2870	2870	2870	2870	2870	2870	2870	2870	2870	2870	2870	2870	2870	2870	2870	2870	2870	2870	2870	3230
14	2640	2640	2640	2640	2640	2640	2640	2640	2640	2640	2640	2640	2640	2640	2640	2640	2640	2640	2640	2640	3000
15	2430	2430	2430	2430	2430	2430	2430	2430	2430	2430	2430	2430	2430	2430	2430	2430	2430	2430	2430	2430	3230
15.9	2180	2180	2180	2180	2180	2180	2180	2180	2180	2180	2180	2180	2180	2180	2180	2180	2180	2180	2180	2180	3000

LMI DUTY 101-75

- This chart is for crane side slope from 0° to 0.6°. crane side slope larger than 0.6° the LMI will derate automatically
- Stability as per en13000:2010 (mod) and as1418.5 2013 part 4.1.2.6.1 pick and carry 66.6% of tipping load
- Operation of this machine with heavier loads than the capacities listed is strictly prohibited. machine tipping with boom extension occurs rapidly and without advance warning
- Lifting is to be vertical only
- Hoist rope: 14mm 34 x 7 grade 1960 n/mm2 non rotating min breaking force 18400kg 4600kg max line pull
- Tyre specification front and rear size 12.00 r20 creep load rating 8695kg @ 0-2 kph static load rating 9250kg @ 0 kph tyre pressure 130 psi

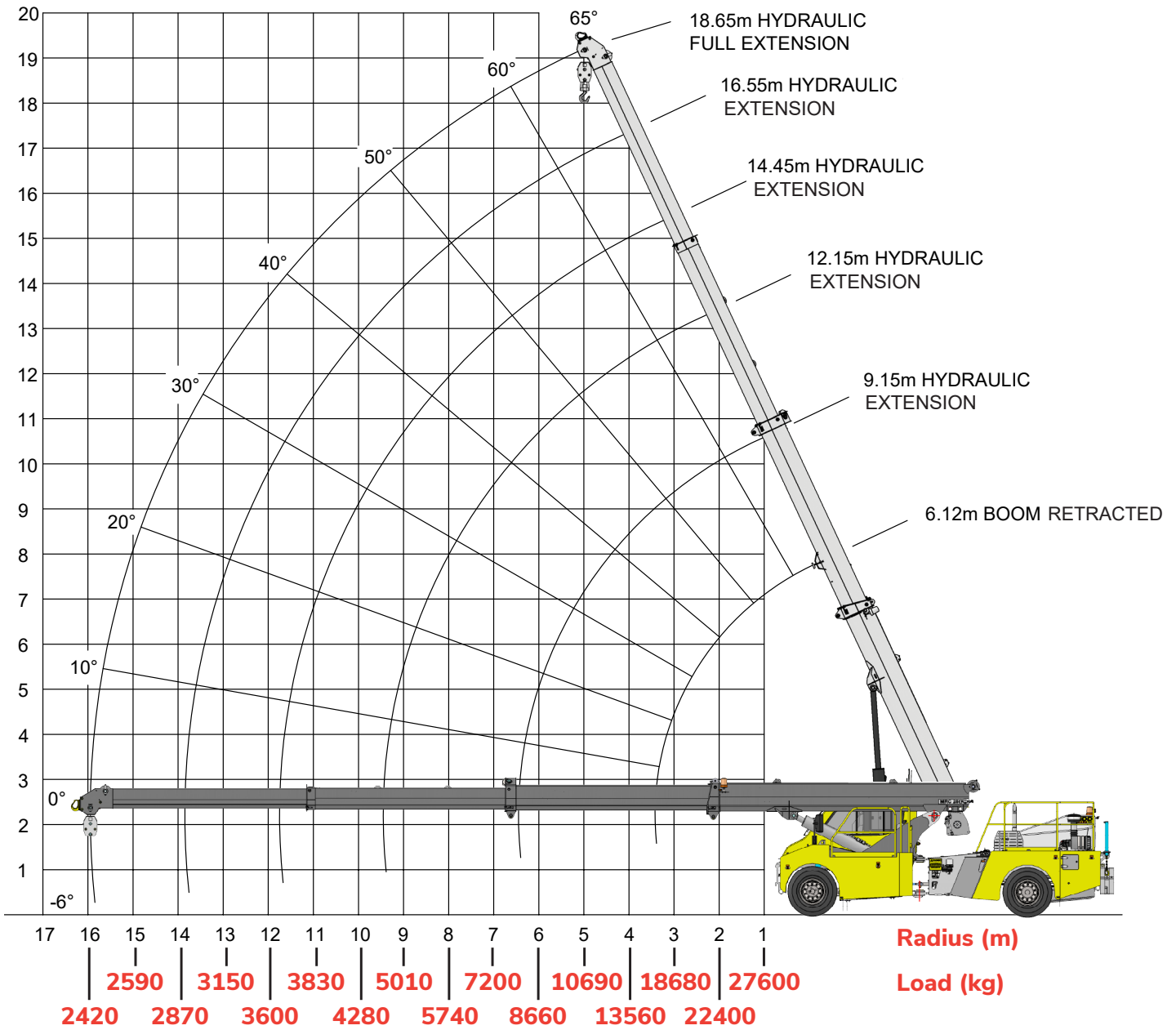
Rated Capacity (kg) for 0°-10° articulation
Rated Capacity (kg) for 11°-20° articulation
Rated Capacity (kg) for 21°-30° articulation
Rated Capacity (kg) for 31°-44° articulation

- Mass of slings and hook block to be added to load
- During operation, wind speed must not exceed 36 km/h (10m/s)
- Read And Understand Crane User Manuals Before Operating
- Boom angle is with respect to the horizontal
- Spare wheel not included as counterweight
- Loads above the bold red line are limited structurally
- Loads below the bold red line are limited by stability

WORKING RANGE



With counterweight on rear



NOTE: Rated capacity values shown are for the stationary chart on the hook.

After Sales Support

TRT is proud to manufacture the TIDD PC28, and we are committed to supporting our product for its warranty and beyond. The team of highly experienced TIDD service technicians and agents are available to assist operators, fleet owners and workshops with training, advice, documentation and product upgrades.

Parts

TRT stocks genuine spare parts for the TIDD PC28 in Australia and NZ. We can easily arrange overnight freight for all spares and service items to ensure the Crane is returned to service with minimal downtime.

TRT reserves the right to alter specifications without notice. Photographs and drawings in this document are for illustrative purposes only. Product shown in photos contains optional features. TRT in so far as it is permitted by law to do so, shall not be liable in any way as a result of any reliance by any person on anything contained in this brochure.

Please contact us for current and detailed specifications. TRT Australia Pty Ltd / Tidd Ross Todd Ltd is the manufacturer of the TIDD PC28.

27092019

Designed & Manufactured by:



TRT (AUST) PTY. Ltd.
 1028 Lytton Road, Murarrie, QLD 4172
 Phone: +61 7 3890 8800
 Email: cranesales@trtaust.com.au
www.trtaustralia.com.au

Tidd Ross Todd Ltd
 48 Maui Street, Pukete Industrial Estate
 P.O Box 10076, Te Rapa, Hamilton 3241
 Phone: +64 7 849 4839 Email: cranesales@trt.co.nz
www.trt.co.nz